
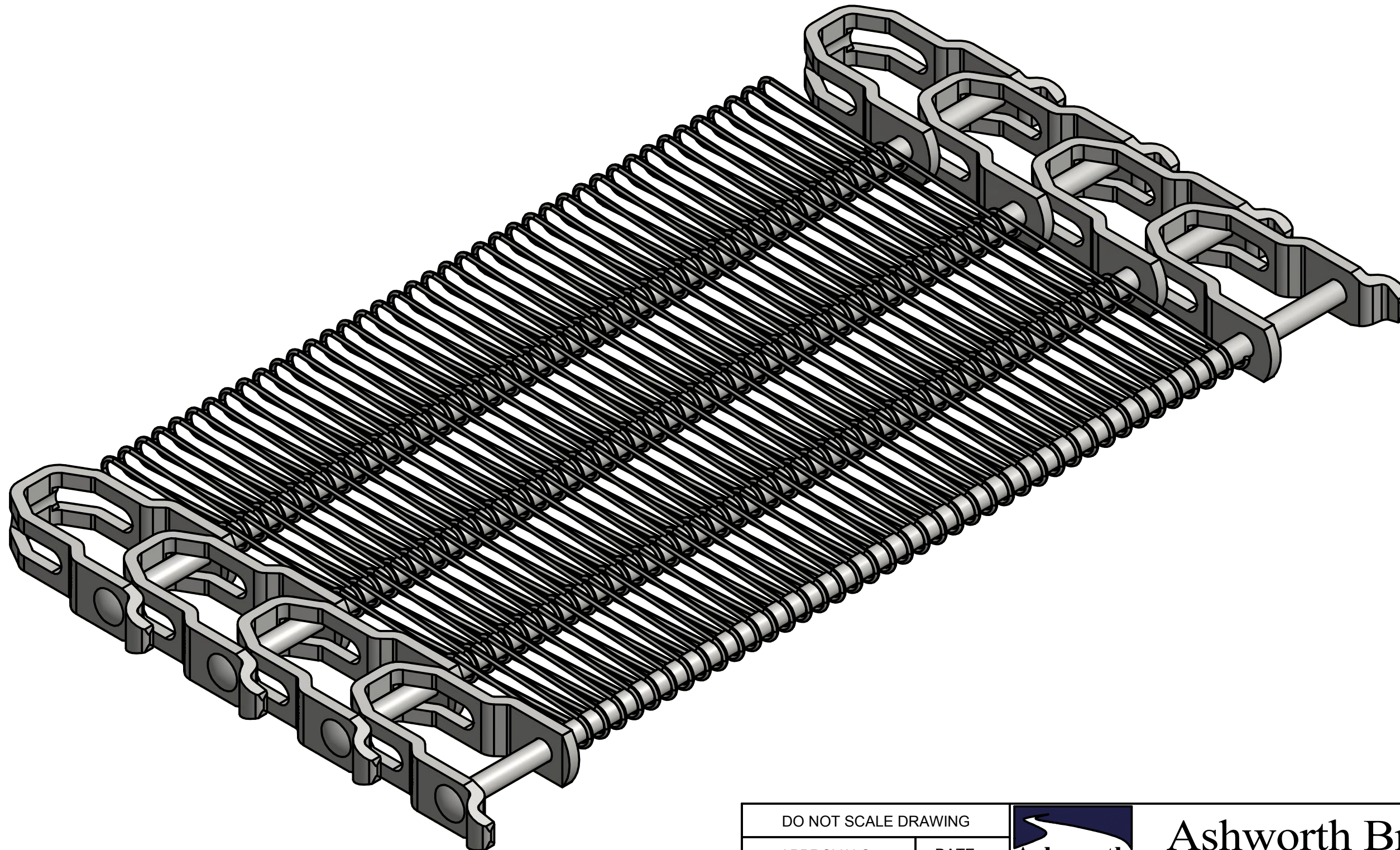



NOTES:

1. WIDTHS VARY BY ORDER

DO NOT SCALE DRAWING		 Ashworth Bros., Inc. 450 ARMOUR DALE, WINCHESTER, VA 22601
APPROVALS	DATE	
DRAWN	witrinc	5/2/2013
UNLESS OTHERWISE SPECIFIED DIMENSIONS ARE IN INCHES. TOLERANCES: .X = ± .03 FRACTION ± 1/16 .XX = ± .015 ANGLES ± 1/2° .XXX = ± .005 .XXXX = ± .0005 SURF FINISH 63 ✓		TITLE
		ILLUSTRATION OP150 U54-8-17
SIZE	DWG. NO.	
B		
CAD/FILE NAME	SCALE	REV.
OP Assembly.idw	1 : 1	
	CALC.WT	SHEET
	N/A	1 OF 2



DO NOT SCALE DRAWING		 Ashworth Bros., Inc. 450 ARMOUR DALE, WINCHESTER, VA 22601
APPROVALS	DATE	
DRAWN	witrinc	5/2/2013
UNLESS OTHERWISE SPECIFIED DIMENSIONS ARE IN INCHES. TOLERANCES: .X = ± .03 FRACTION ± 1/16 .XX = ± .015 ANGLES ± 1/2° .XXX = ± .005 .XXXX = ± .0005 SURF FINISH 63 ✓		TITLE
		ILLUSTRATION OP150 U54-8-17
SIZE	DWG. NO.	
B		
CAD/FILE NAME	SCALE	REV.
OP Assembly.idw	1 : 1	
	CALC.WT	SHEET
	N/A	2 OF 2