



DWG NO.

SH
1

REV
A

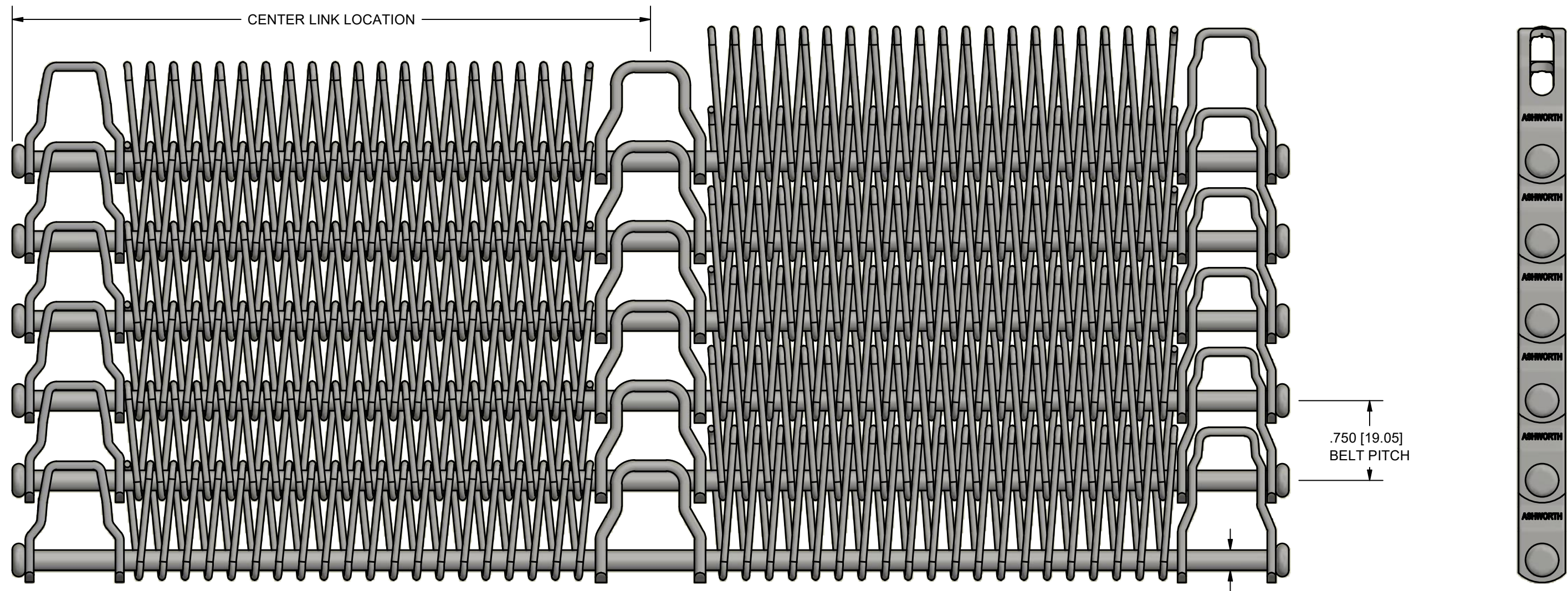
CUSTOMER SIGN OFF

CUSTOMER SIGNATURE: _____

PRINTED NAME: _____

TITLE: _____

DATE: _____



***PIGTAILS NOT SHOWN

THIS DRAWING CONTAINS CONFIDENTIAL INFORMATION AND TRADE SECRETS OF ASHWORTH BROS., INC. IT MAY NOT BE REPRODUCED IN WHOLE OR IN PART OR USED FOR THE BENEFIT OF ANYONE OTHER THAN ASHWORTH BROS., INC. NO RIGHT IS GRANTED TO DISCLOSE OR USE ANY INFORMATION SHOWN ON THIS DRAWING.

UNLESS OTHERWISE SPECIFIED DIMENSIONS ARE IN INCHES. DIMENSIONS NOTED ARE NOMINAL VALUES ONLY. ACTUAL DIMENSIONS ARE AFFECTED BY MANUFACTURING SPECS. AND / OR PROCESS CONDITIONS. CONTACT ASHWORTH ENGINEERING FOR FOR MORE DETAIL.

THIRD ANGLE PROJECTION

MATERIAL

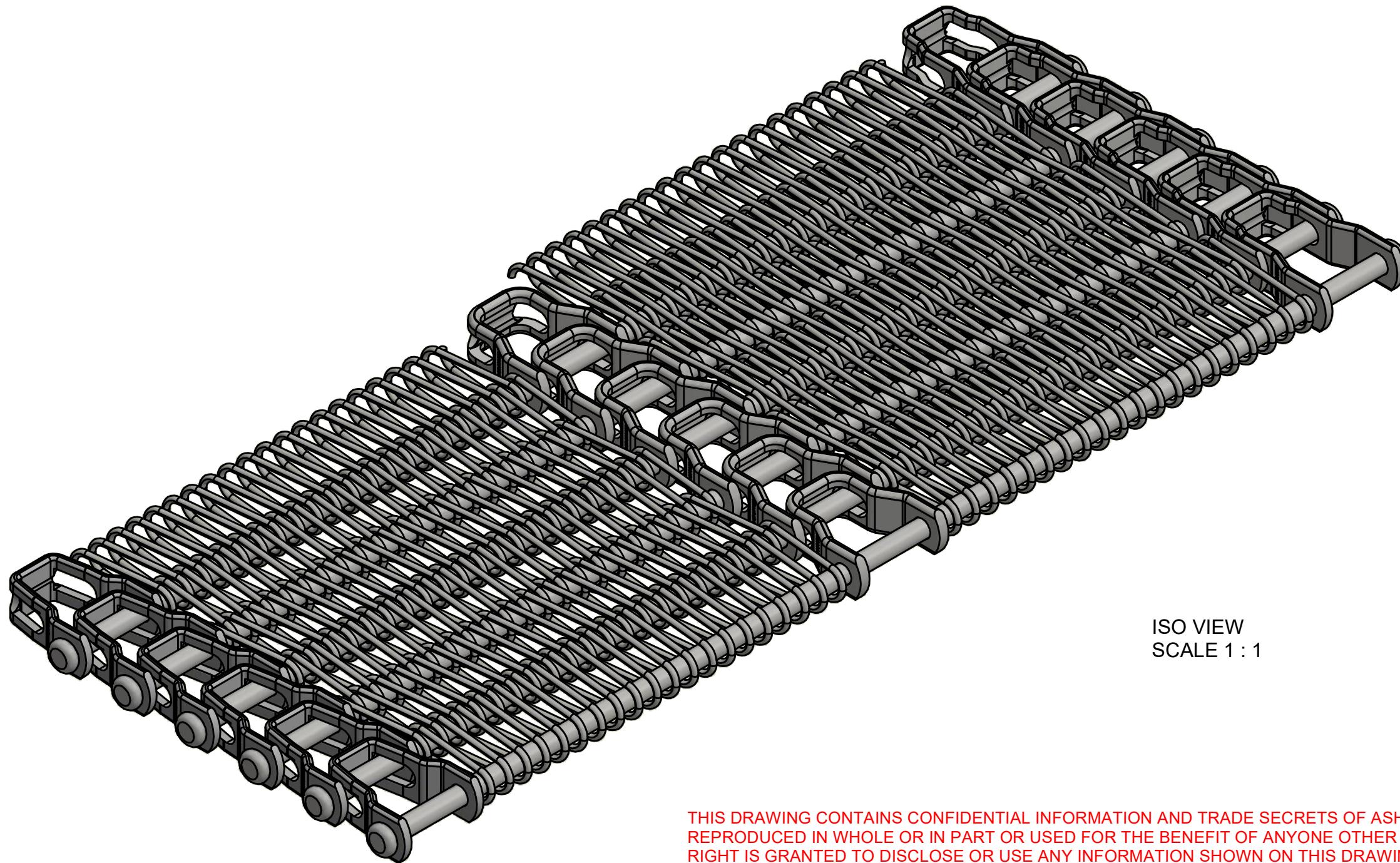
TREATMENT NONE

FINISH NONE

CONTRACT / PROJECT NO.	
APPROVALS	DATE
DRAWN witrinc	3/5/2020
DESIGN CST	3/28/2017
CHECKED	
REF ASSEMBLY	
REF PART	
ASHWORTH PART NUMBER	


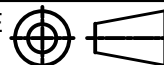
		Ashworth Bros., Inc.	
		450 ARMOUR DALE, WINCHESTER, VA 22601	
TITLE			
ILLUSTRATION SROG075 B54-12/16-16			
SIZE	CAGE CODE	QUOTE NO.	REV.
B	96664		
SCALE	1 : 1	CALC.WT	N/A
		SHEET	1 OF 2





ISO VIEW
SCALE 1 : 1

THIS DRAWING CONTAINS CONFIDENTIAL INFORMATION AND TRADE SECRETS OF ASHWORTH BROS., INC. IT MAY NOT BE REPRODUCED IN WHOLE OR IN PART OR USED FOR THE BENEFIT OF ANYONE OTHER THAN ASHWORTH BROS., INC. NO RIGHT IS GRANTED TO DISCLOSE OR USE ANY INFORMATION SHOWN ON THIS DRAWING.

UNLESS OTHERWISE SPECIFIED DIMENSIONS ARE IN INCHES. DIMENSIONS NOTED ARE NOMINAL VALUES ONLY. ACTUAL DIMENSIONS ARE AFFECTED BY MANUFACTURING SPECS. AND / OR PROCESS CONDITIONS. CONTACT ASHWORTH ENGINEERING FOR MORE DETAIL.	CONTRACT / PROJECT NO.		 Ashworth Bros., Inc. 450 ARMOUR DALE, WINCHESTER, VA 22601					
	APPROVALS	DATE						
	DRAWN	witrinc	3/5/2020	TITLE ILLUSTRATION SROG075 B54-12/16-16				
	DESIGN	CST	3/28/2017					
THIRD ANGLE PROJECTION 	CHECKED		SIZE	CAGE CODE	QUOTE NO.	REV.		
MATERIAL	REF ASSEMBLY		B	96664				
TREATMENT	REF PART		SCALE	1 : 1	CALC.WT	N/A	SHEET	2 OF 2
FINISH	ASHWORTH PART NUMBER							