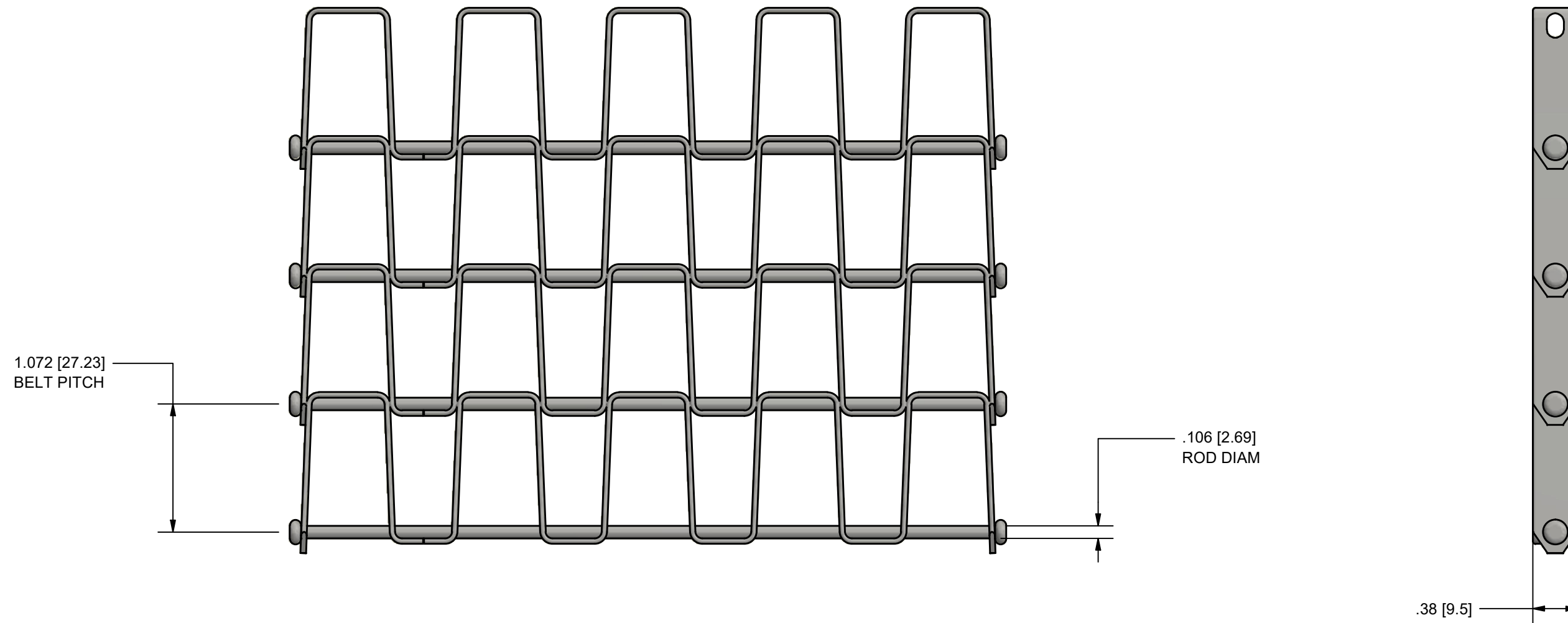

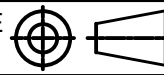


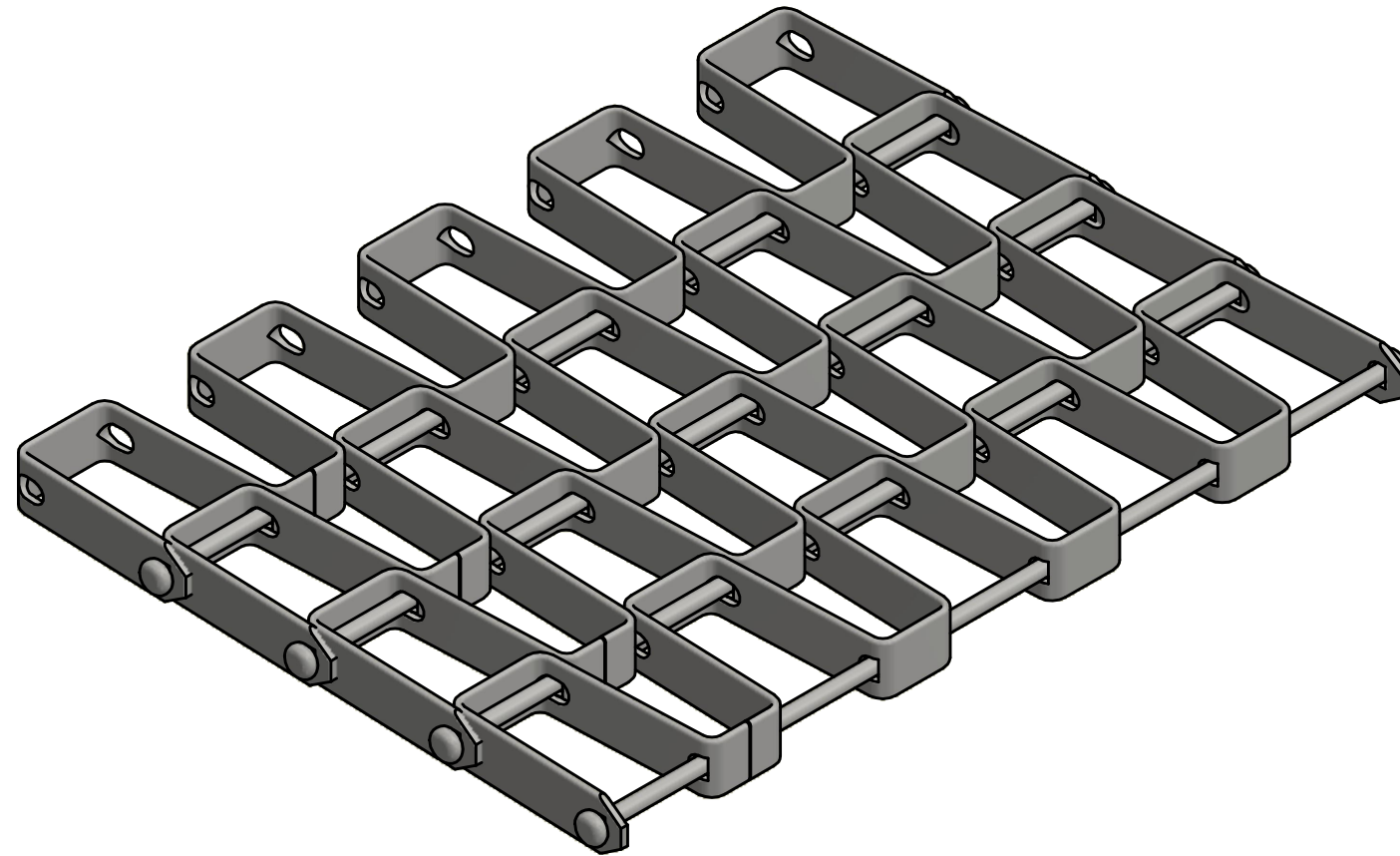
CUSTOMER SIGN OFF

CUSTOMER SIGNATURE: _____ PRINTED NAME: _____ TITLE: _____ DATE: _____


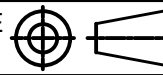


THIS DRAWING CONTAINS CONFIDENTIAL INFORMATION AND TRADE SECRETS OF ASHWORTH BROS., INC. IT MAY NOT BE REPRODUCED IN WHOLE OR IN PART OR USED FOR THE BENEFIT OF ANYONE OTHER THAN ASHWORTH BROS., INC. NO RIGHT IS GRANTED TO DISCLOSE OR USE ANY INFORMATION SHOWN ON THIS DRAWING.

UNLESS OTHERWISE SPECIFIED DIMENSIONS ARE IN INCHES. DIMENSIONS NOTED ARE NOMINAL VALUES ONLY. ACTUAL DIMENSIONS ARE AFFECTED BY MANUFACTURING SPECS. AND / OR PROCESS CONDITIONS. CONTACT ASHWORTH ENGINEERING FOR FOR MORE DETAIL.	CONTRACT / PROJECT NO.		 Ashworth Bros., Inc. 450 ARMOUR DALE, WINCHESTER, VA 22601	
	APPROVALS	DATE		
	DRAWN witrinc	7/10/2013	TITLE 6 INCH WIDE FWA4 5 LOOPS 9 OPENINGS	
	DESIGN CST	4/18/2017		
THIRD ANGLE PROJECTION 	CHECKED	SIZE		REV.
MATERIAL	REF ASSEMBLY	B	CAGE CODE 96664	A
TREATMENT NONE	REF PART	SCALE	QUOTE. NO.	
FINISH NONE	ASHWORTH PART NUMBER	1 : 1	CALC.WT 0.38 lbmass	SHEET 1 OF 2



THIS DRAWING CONTAINS CONFIDENTIAL INFORMATION AND TRADE SECRETS OF ASHWORTH BROS., INC. IT MAY NOT BE REPRODUCED IN WHOLE OR IN PART OR USED FOR THE BENEFIT OF ANYONE OTHER THAN ASHWORTH BROS., INC. NO RIGHT IS GRANTED TO DISCLOSE OR USE ANY INFORMATION SHOWN ON THIS DRAWING.

UNLESS OTHERWISE SPECIFIED DIMENSIONS ARE IN INCHES. DIMENSIONS NOTED ARE NOMINAL VALUES ONLY. ACTUAL DIMENSIONS ARE AFFECTED BY MANUFACTURING SPECS. AND / OR PROCESS CONDITIONS. CONTACT ASHWORTH ENGINEERING FOR MORE DETAIL.	CONTRACT / PROJECT NO.		 Ashworth Bros., Inc. 450 ARMOUR DALE, WINCHESTER, VA 22601		
	APPROVALS	DATE			
	DRAWN witrinc	7/10/2013	TITLE 6 INCH WIDE FWA4 5 LOOPS 9 OPENINGS		
	DESIGN CST	4/18/2017			
THIRD ANGLE PROJECTION 	CHECKED	SIZE B	CAGE CODE 96664	QUOTE. NO.	REV. A
MATERIAL	REF ASSEMBLY	SCALE 1:1	CALC.WT 0.38 lbmass	SHEET 2 OF 2	
TREATMENT NONE	REF PART	C:_DrawingProgram\Flat Wire Belt Builder\Flat Wire Belt Generator.idw			
FINISH NONE	ASHWORTH PART NUMBER				