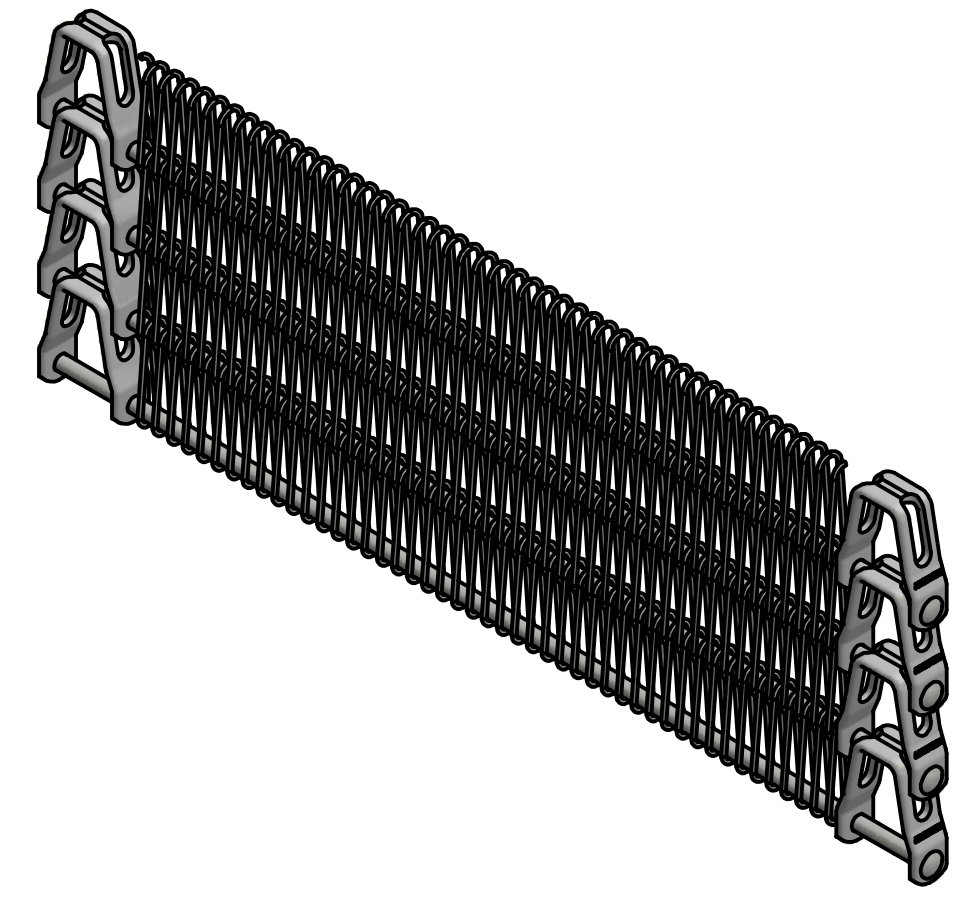
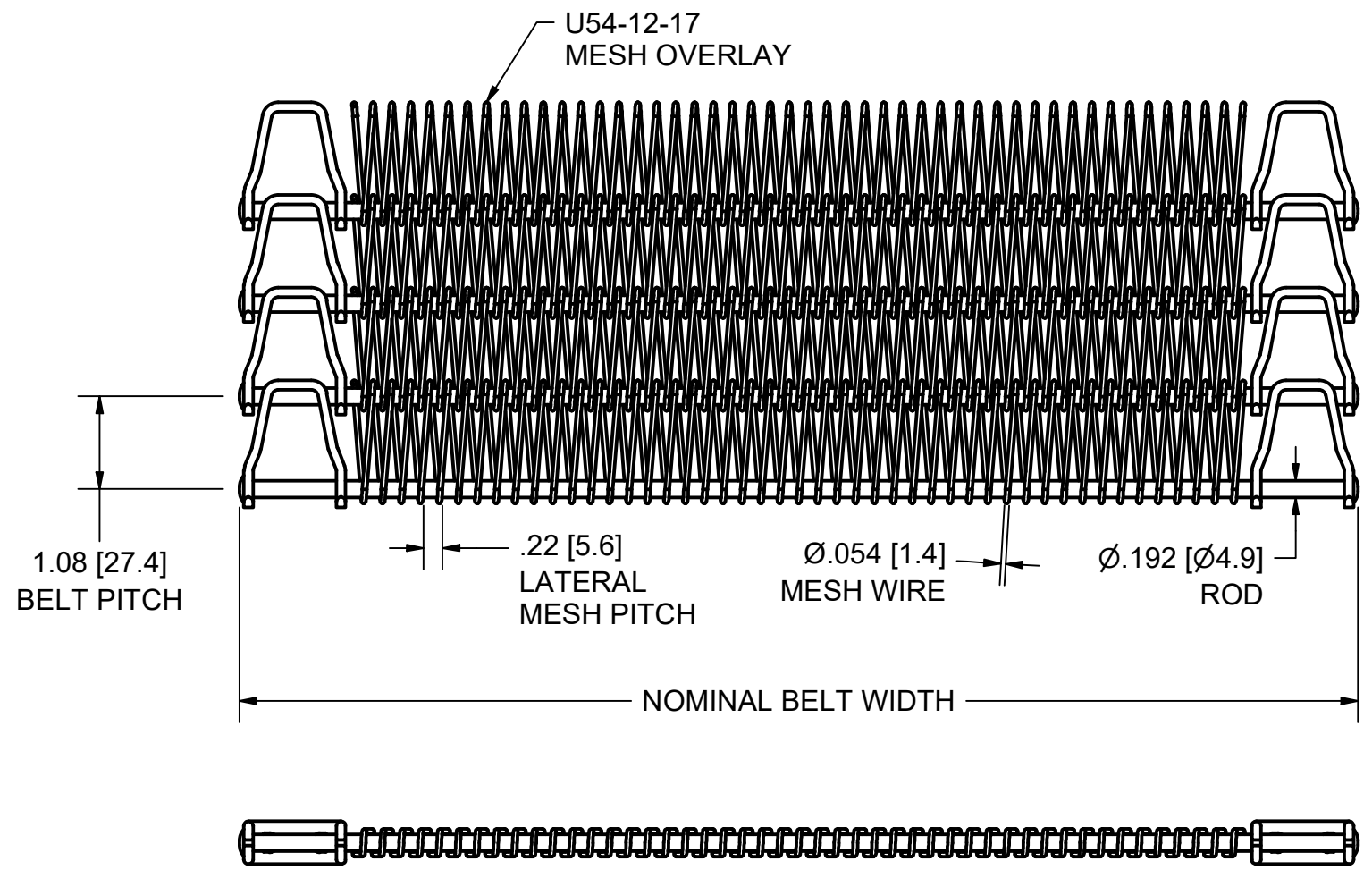


REVISION HISTORY

ZONE	REV	DESCRIPTION	DATE	APPROVED
	A	INITIAL RELEASE		


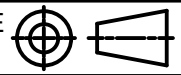


*PIGTAILS NOT SHOWN

THIS DRAWING CONTAINS CONFIDENTIAL INFORMATION AND TRADE SECRETS OF ASHWORTH BROS., INC. IT MAY NOT BE REPRODUCED IN WHOLE OR IN PART OR USED FOR THE BENEFIT OF ANYONE OTHER THAN ASHWORTH BROS., INC. NO RIGHT IS GRANTED TO DISCLOSE OR USE ANY INFORMATION SHOWN ON THIS DRAWING.

NOTES:

1. MATERIAL: PER ORDER.
2. BELT WIDTH: PER ORDER
3. BELT TYPE: OG360-100
U54-12-17 MESH OVERLAY

<small>UNLESS OTHERWISE SPECIFIED DIMENSIONS ARE IN INCHES. DIMENSIONS NOTED ARE NOMINAL VALUES ONLY. ACTUAL DIMENSIONS ARE AFFECTED BY MANUFACTURING SPECS. AND / OR PROCESS CONDITIONS. CONTACT ASHWORTH ENGINEERING FOR FOR MORE DETAIL.</small>	CONTRACT / PROJECT NO.		 Ashworth Bros., Inc. <small>450 ARMOUR DALE, WINCHESTER, VA 22601</small>
	APPROVALS	DATE	
	DRAWN NEC	5/20/21	
	DESIGN NEC	5/20/21	
DO NOT SCALE DRAWING	CHECKED NEC	5/20/21	TITLE ILLUSTRATION OG360-100 U54-12-17 MESH
THIRD ANGLE PROJECTION 	REF ASSEMBLY		SIZE CAGE CODE DWG. NO. REV.
TREATMENT	REF PART		B 96664 OG360-100-U54-12-17
FINISH	CAD/FILE NAME OG360-100-U54-12-17.idw	SCALE CALC.WT SHEET	NTS N/A 1 OF 1