

NOTES:

1. WIDTHS VARY BY ORDER

DO NOT SCALE DRAWING

APPROVALS

DATE

DRAWN

witrinc

7/11/2018

UNLESS OTHERWISE SPECIFIED DIMENSIONS ARE IN INCHES.

TOLERANCES:

.X = ± .03 FRACTION ± 1/16

.XX = ± .015 ANGLES ± 1/2°

.XXX = ± .005

.XXXX = ± .0005 SURF FINISH 63 ✓



Ashworth Bros., Inc.

450 ARMOUR DALE, WINCHESTER, VA 22601

TITLE

ILLUSTRATION RROG100 B54-12-16

SIZE

B

DWG. NO.

REV.

CAD/FILE NAME
OP Assembly.idw

SCALE

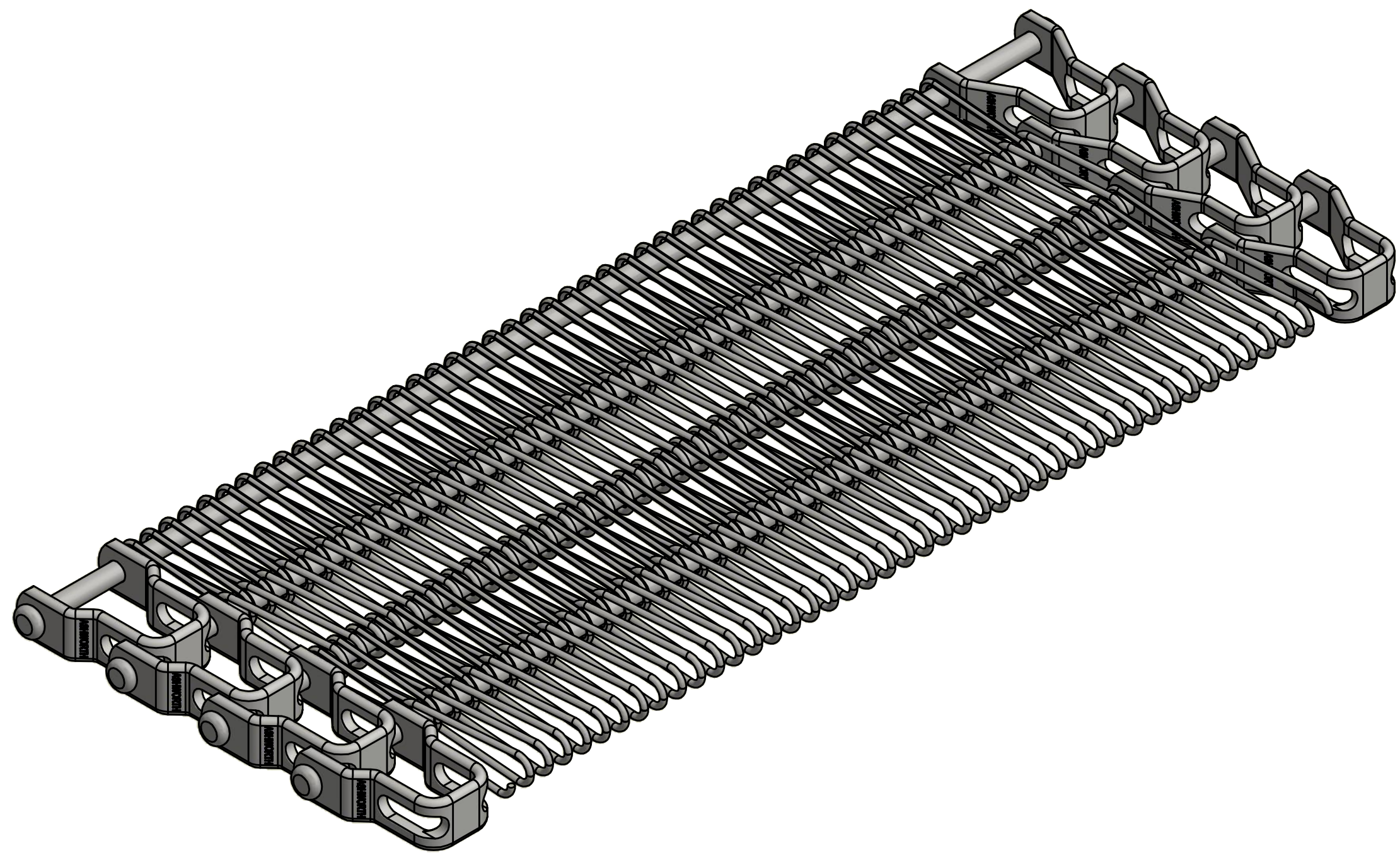
1:1


CALC.WT

N/A

SHEET

1 OF 2



DO NOT SCALE DRAWING		 Ashworth Bros., Inc. 450 ARMOUR DALE, WINCHESTER, VA 22601
APPROVALS	DATE	
DRAWN witrinc	7/11/2018	TITLE ILLUSTRATION RROG100 B54-12-16
UNLESS OTHERWISE SPECIFIED DIMENSIONS ARE IN INCHES. TOLERANCES: .X = ± .03 FRACTION ± 1/16 .XX = ± .015 ANGLES ± 1/2° .XXX = ± .005 .XXXX = ± .0005 SURF FINISH 63 ✓		SIZE B DWG. NO. REV. SCALE 1:1 CALC.WT N/A SHEET 2 OF 2
CAD/FILE NAME OP Assembly.idw		S:\Public\Individual Files\Chris\Belt Layouts\Omni-Pro Builder\OP Assembly.idw