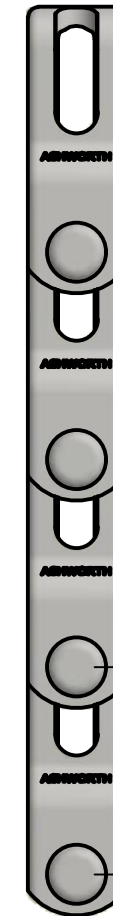


.192 [4.88] ROD DIAM



1.08  
BELT PITCH

NOTES:

1. WIDTHS VARY BY ORDER

DO NOT SCALE DRAWING

APPROVALS

DATE

DRAWN

witrinc

5/2/2013

UNLESS OTHERWISE SPECIFIED  
DIMENSIONS ARE IN INCHES.

TOLERANCES:  
.X = ± .03      FRACTION ± 1/16  
.XX = ± .015      ANGLES ± 1/2°  
.XXX = ± .005  
.XXXX = ± .0005      SURF FINISH 63 ✓



**Ashworth Bros., Inc.**

450 ARMOUR DALE, WINCHESTER, VA 22601

TITLE

**ILLUSTRATION OG100 HD  
B60-12-17**

SIZE

**B**

DWG. NO.

REV.

CAD/FILE NAME  
OP Assembly.idw

SCALE

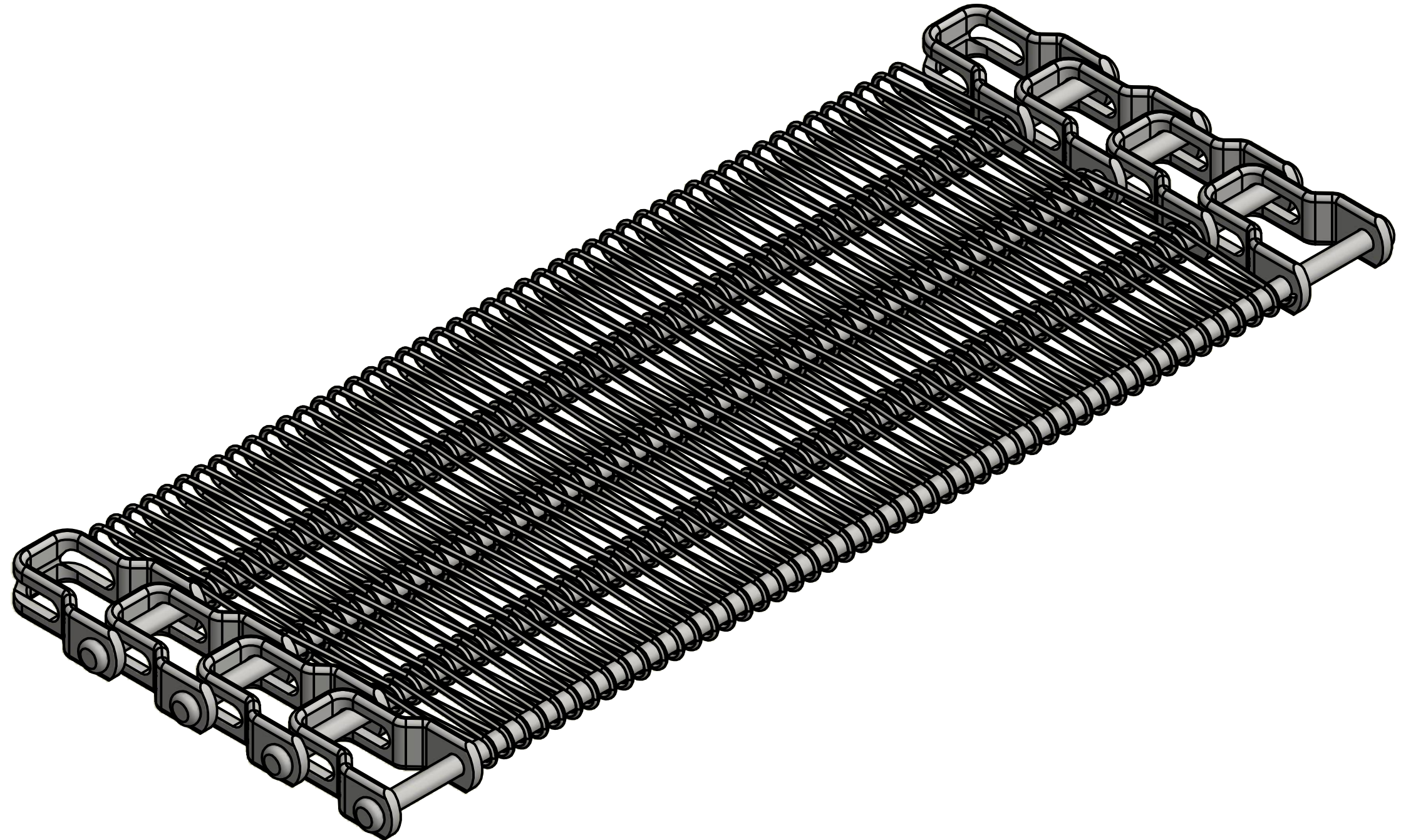
**1 : 1**


CALC.WT

N/A

SHEET

1 OF 2



DO NOT SCALE DRAWING		 <b>Ashworth Bros., Inc.</b> 450 ARMOUR DALE, WINCHESTER, VA 22601	
APPROVALS	DATE		
DRAWN	witrinc	5/2/2013	
UNLESS OTHERWISE SPECIFIED DIMENSIONS ARE IN INCHES. TOLERANCES: .X = ± .03      FRACTION ± 1/16 .XX = ± .015      ANGLES ± 1/2° .XXX = ± .005 .XXXX = ± .0005      SURF FINISH 63 ✓		TITLE <b>ILLUSTRATION OG100 HD          B60-12-17</b>	
SIZE	<b>B</b>	DWG. NO.	REV.
CAD/FILE NAME	OP Assembly.idw	SCALE	1 : 1
		CALC.WT	N/A
		SHEET	2 OF 2