


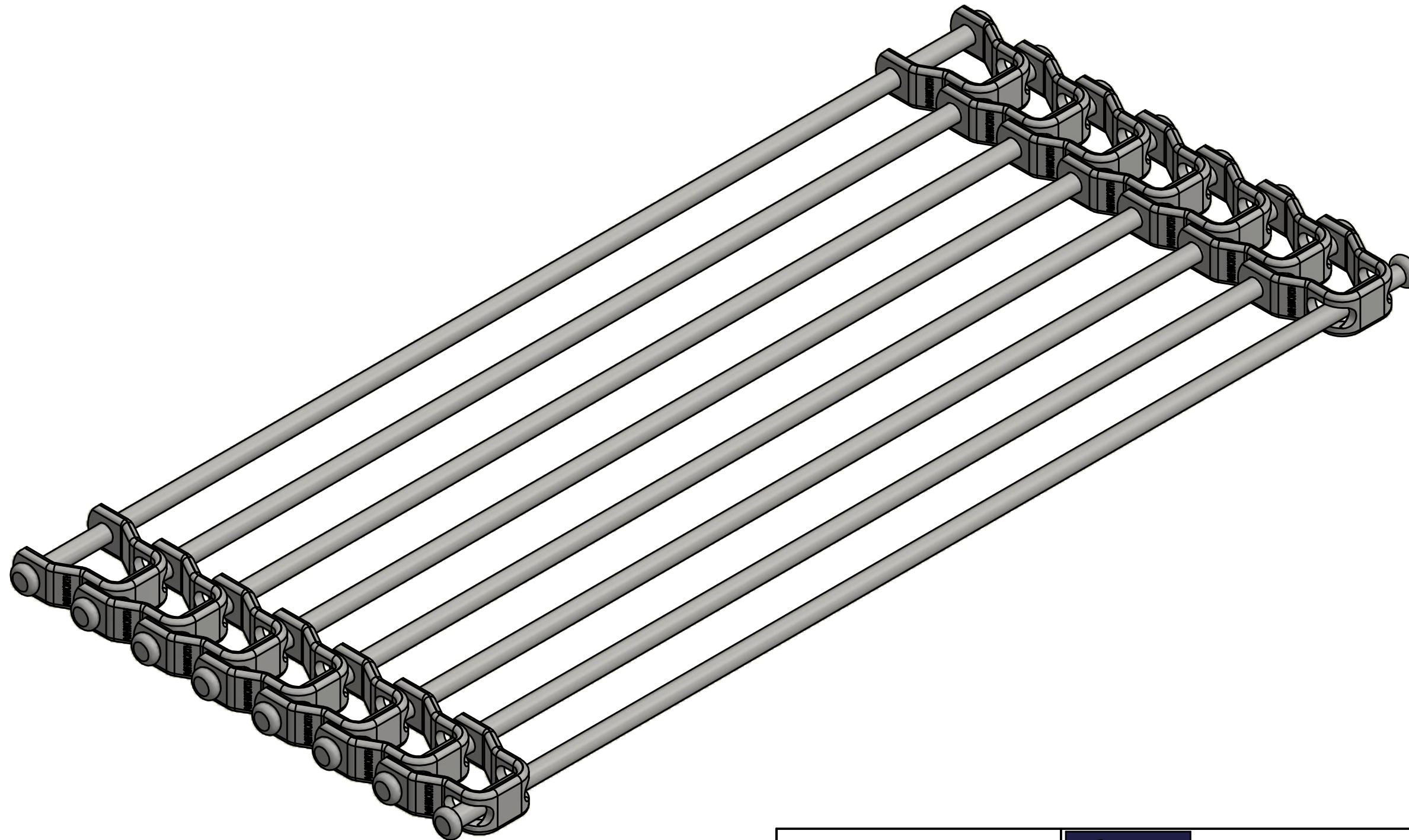
BELT SPECIFICATIONS


CONVEYING SURFACE: BELT WIDTH - 2.44IN [62MM]

NOTES:

1. WIDTHS VARY BY ORDER

DO NOT SCALE DRAWING		 Ashworth Bros., Inc. 450 ARMOUR DALE, WINCHESTER, VA 22601
APPROVALS	DATE	
DRAWN	witrinc	7/11/2018
UNLESS OTHERWISE SPECIFIED DIMENSIONS ARE IN INCHES. TOLERANCES: .X = ± .03 FRACTION ± 1/16 .XX = ± .015 ANGLES ± 1/2° .XXX = ± .005 .XXXX = ± .0005 SURF FINISH 63 ✓		TITLE
		ILLUSTRATION OG075 HD ROD ONLY
SIZE	DWG. NO.	
B		
CAD/FILE NAME	SCALE	REV.
OP Assembly.idw	1 : 1	
	CALC.WT	SHEET
	N/A	1 OF 2



DO NOT SCALE DRAWING		 Ashworth Bros., Inc. 450 ARMOUR DALE, WINCHESTER, VA 22601
APPROVALS	DATE	
DRAWN witrinc	7/11/2018	TITLE ILLUSTRATION OG075 HD ROD ONLY
UNLESS OTHERWISE SPECIFIED DIMENSIONS ARE IN INCHES . TOLERANCES: .X = ± .03 FRACTION ± 1/16 .XX = ± .015 ANGLES ± 1/2° .XXX = ± .005 .XXXX = ± .0005 SURF FINISH 63 ✓		SIZE B
CAD/FILE NAME OP Assembly.idw		DWG. NO.
SCALE 1:1		REV.
CALC.WT N/A		SHEET 2 OF 2