
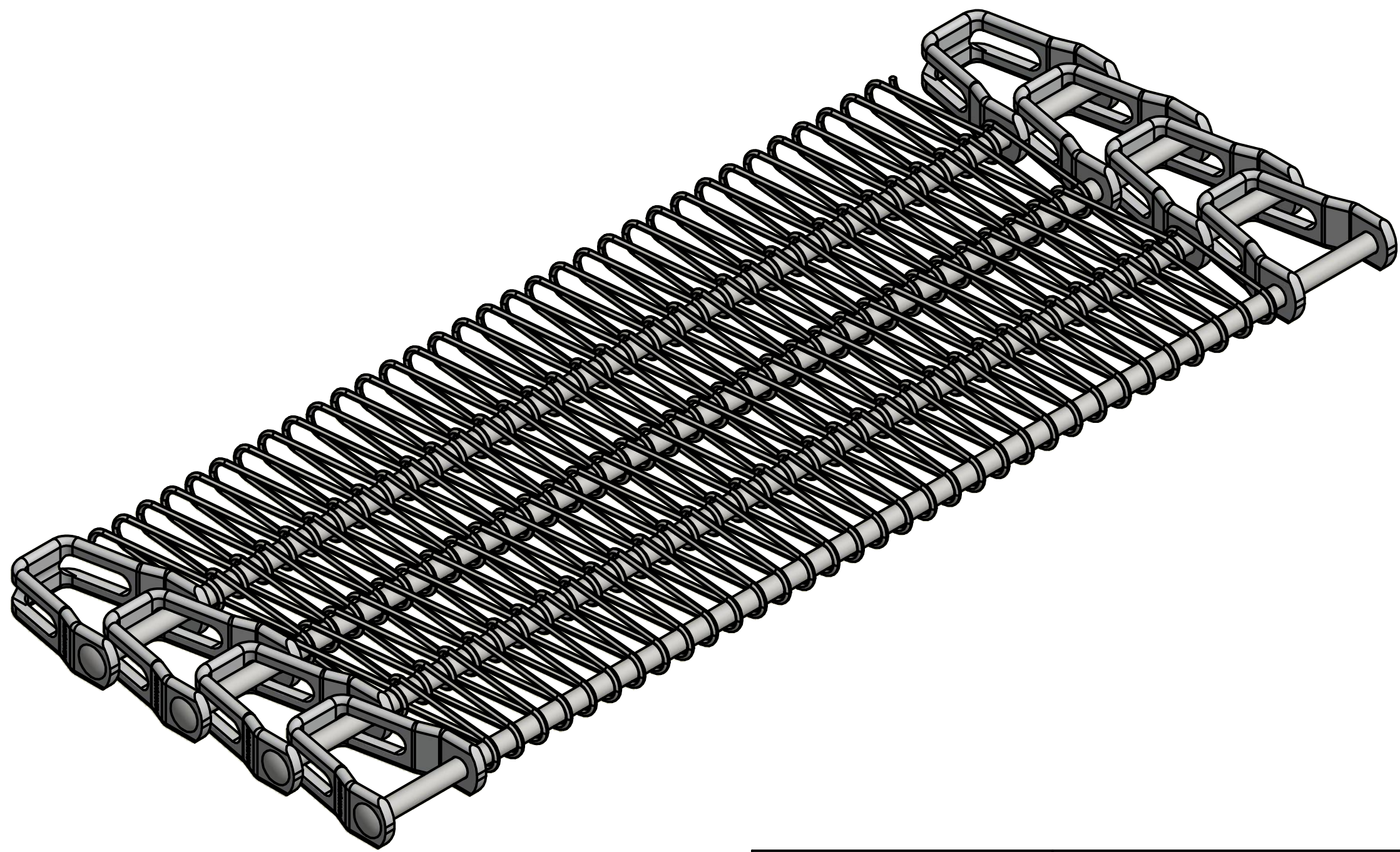



Ø.192 [4.88]
ROD



| | | |
|--|----------|--|
| DO NOT SCALE DRAWING | |  Ashworth Bros., Inc. 450 ARMOUR DALE, WINCHESTER, VA 22601 |
| APPROVALS | DATE | |
| DRAWN | 7/8/16 | TITLE |
| UNLESS OTHERWISE SPECIFIED DIMENSIONS ARE IN INCHES. TOLERANCES: .X = ± .03 FRACTION ± 1/16 .XX = ± .015 ANGLES ± 1/2° .XXX = ± .005 .XXXX = ± .0005 SURF FINISH 63 ✓ | | ILLUSTRATION OG360-100 B42-12-17 |
| SIZE | DWG. NO. | REV. |
| B | | |
| CAD/FILE NAME | SCALE | CALC.WT |
| OP Assembly.idw | 1/1 | N/A |
| | SHEET | |
| | 1 OF 2 | |



VIEW5
SCALE 1/1

| | | |
|--|--------|--|
| DO NOT SCALE DRAWING | |  Ashworth Bros., Inc. 450 ARMOUR DALE, WINCHESTER, VA 22601 |
| APPROVALS | DATE | |
| DRAWN | 7/8/16 | TITLE |
| UNLESS OTHERWISE SPECIFIED DIMENSIONS ARE IN INCHES. TOLERANCES: .X = ± .03 FRACTION ± 1/16 .XX = ± .015 ANGLES ± 1/2° .XXX = ± .005 .XXXX = ± .0005 SURF FINISH 63 ✓ | | ILLUSTRATION OG360-100 B42-12-17 |
| CAD/FILE NAME | | SIZE |
| OP Assembly.idw | | B |
| SCALE | | DWG. NO. |
| 1/1 | | REV. |
| CALC.WT | | SHEET |
| N/A | | 2 OF 2 |