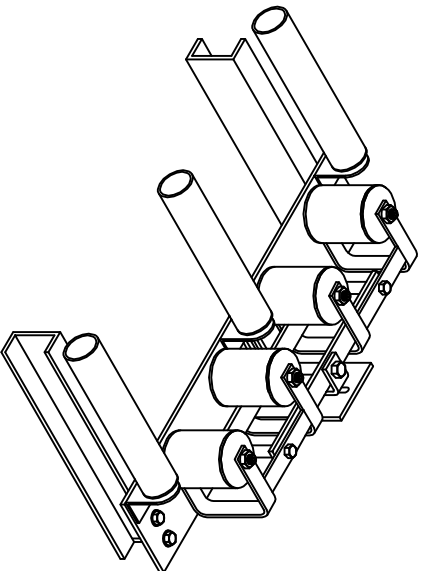
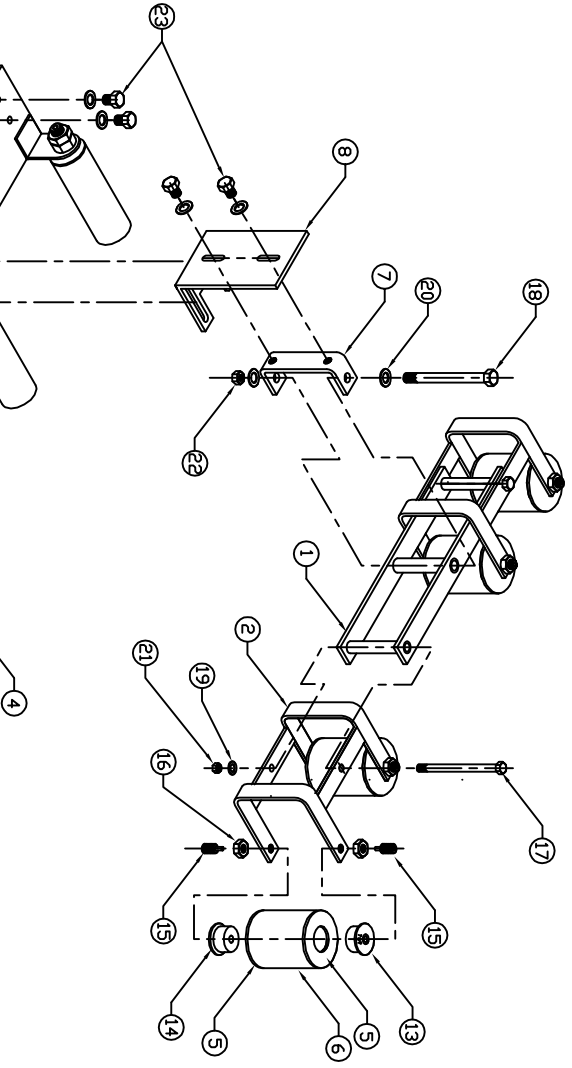


REV	REV / DATE	REV BY	REV DESCRIPTION
A			



ITEM	QTY	DESCRIPTION
1	2	BEARING ASSEMBLY, TOP
2	2	BEARING ASSEMBLY, BOTTOM
3	1	HEX HEAD BOLT 3/8-16 X 5 1/4
4	2	HEX HEAD BOLT 3/8-16 X 3/4
5	2	HEX HEAD BOLT 1/2-13 X 5 3/8
6	2	HEX HEAD BOLT 1/2-13 X 3/4
7	2	HEX HEAD BOLT 1/2-13 X 5 1/4
8	2	HEX HEAD BOLT 3/8-16 X 5 1/4
9	2	HEX HEAD BOLT 3/8-16 X 3/4
10	2	HEX HEAD BOLT 3/8-16 X 3/4
11	2	HEX HEAD BOLT 3/8-16 X 3/4
12	2	HEX HEAD BOLT 3/8-16 X 3/4
13	2	HEX HEAD BOLT 3/8-16 X 3/4
14	2	HEX HEAD BOLT 3/8-16 X 3/4
15	2	HEX HEAD BOLT 3/8-16 X 3/4
16	2	HEX HEAD BOLT 3/8-16 X 3/4
17	2	HEX HEAD BOLT 3/8-16 X 3/4
18	2	HEX HEAD BOLT 3/8-16 X 3/4
19	2	HEX HEAD BOLT 3/8-16 X 3/4
20	2	HEX HEAD BOLT 3/8-16 X 3/4
21	2	HEX HEAD BOLT 3/8-16 X 3/4
22	2	HEX HEAD BOLT 3/8-16 X 3/4
23	2	HEX HEAD BOLT 3/8-16 X 3/4

BILL OF MATERIAL

ASTHODPT BROS., INC.
 400 NORTH BELL AVENUE, SUITE 100
 DENVER, CO 80202

MODEL 1 CONTROL ZVB

19 - 4316 A

DIMENSIONS IN INCHES (MM)

SCALE 1 = 4

DATE 1/9/99

DESIGNER JB 1/9/99

CHECKED JRL 02/02/99

DATE 02/02/99

PROJECT JB 1/9/99

ASTHODPT BROS., INC.
 400 NORTH BELL AVENUE, SUITE 100
 DENVER, CO 80202

MODEL 1 CONTROL ZVB

19 - 4316 A

ASTHODPT BROS., INC.
 400 NORTH BELL AVENUE, SUITE 100
 DENVER, CO 80202

MODEL 1 CONTROL ZVB

19 - 4316 A

ASTHODPT BROS., INC.
 400 NORTH BELL AVENUE, SUITE 100
 DENVER, CO 80202

MODEL 1 CONTROL ZVB

19 - 4316 A

ASTHODPT BROS., INC.
 400 NORTH BELL AVENUE, SUITE 100
 DENVER, CO 80202

MODEL 1 CONTROL ZVB

19 - 4316 A

ASTHODPT BROS., INC.
 400 NORTH BELL AVENUE, SUITE 100
 DENVER, CO 80202

MODEL 1 CONTROL ZVB

19 - 4316 A