

NOTES:

1. WIDTHS VARY BY ORDER

DO NOT SCALE DRAWING

APPROVALS

DATE

DRAWN
witrinc

7/11/2018

UNLESS OTHERWISE SPECIFIED
DIMENSIONS ARE IN INCHES.

TOLERANCES:

.X = ± .03 FRACTION ± 1/16

.XX = ± .015 ANGLES ± 1/2°

.XXX = ± .005

.XXXX = ± .0005 SURF FINISH 63 ✓



Ashworth Bros., Inc.

450 ARMOUR DALE, WINCHESTER, VA 22601

TITLE

ILLUSTRATION OP100 B42-12-17

SIZE

B

DWG. NO.

REV.

CAD/FILE NAME
OP Assembly.idw

SCALE

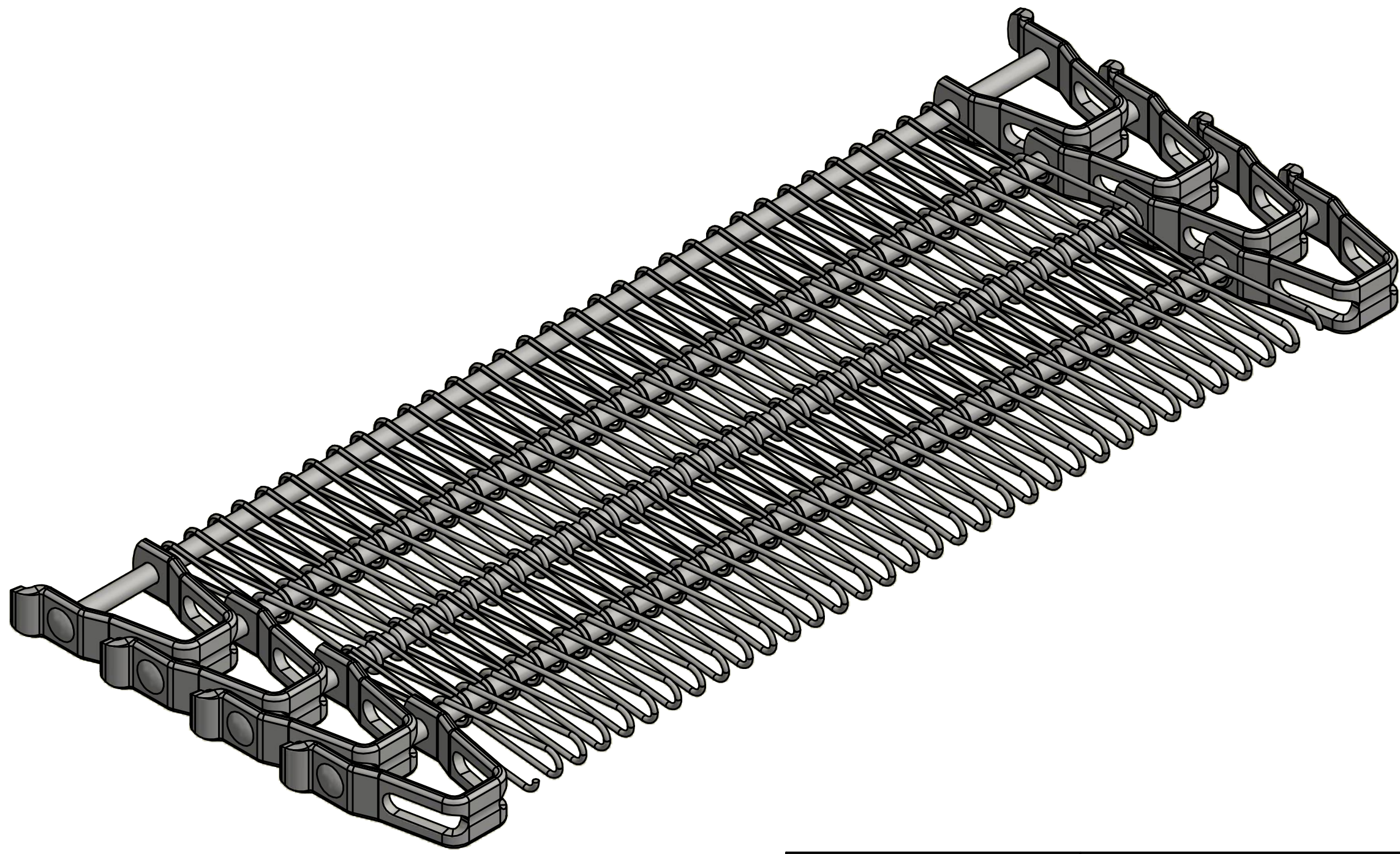
1 : 1


CALC.WT

N/A

SHEET

1 OF 2



DO NOT SCALE DRAWING		 Ashworth Bros., Inc. 450 ARMOUR DALE, WINCHESTER, VA 22601
APPROVALS	DATE	
DRAWN witrinc	7/11/2018	TITLE ILLUSTRATION OP100 B42-12-17
UNLESS OTHERWISE SPECIFIED DIMENSIONS ARE IN INCHES. TOLERANCES: .X = ± .03 FRACTION ± 1/16 .XX = ± .015 ANGLES ± 1/2° .XXX = ± .005 .XXXX = ± .0005 SURF FINISH 63 ✓		SIZE B
CAD/FILE NAME OP Assembly.idw		DWG. NO.
SCALE 1:1		REV.
CALC.WT N/A		SHEET 2 OF 2