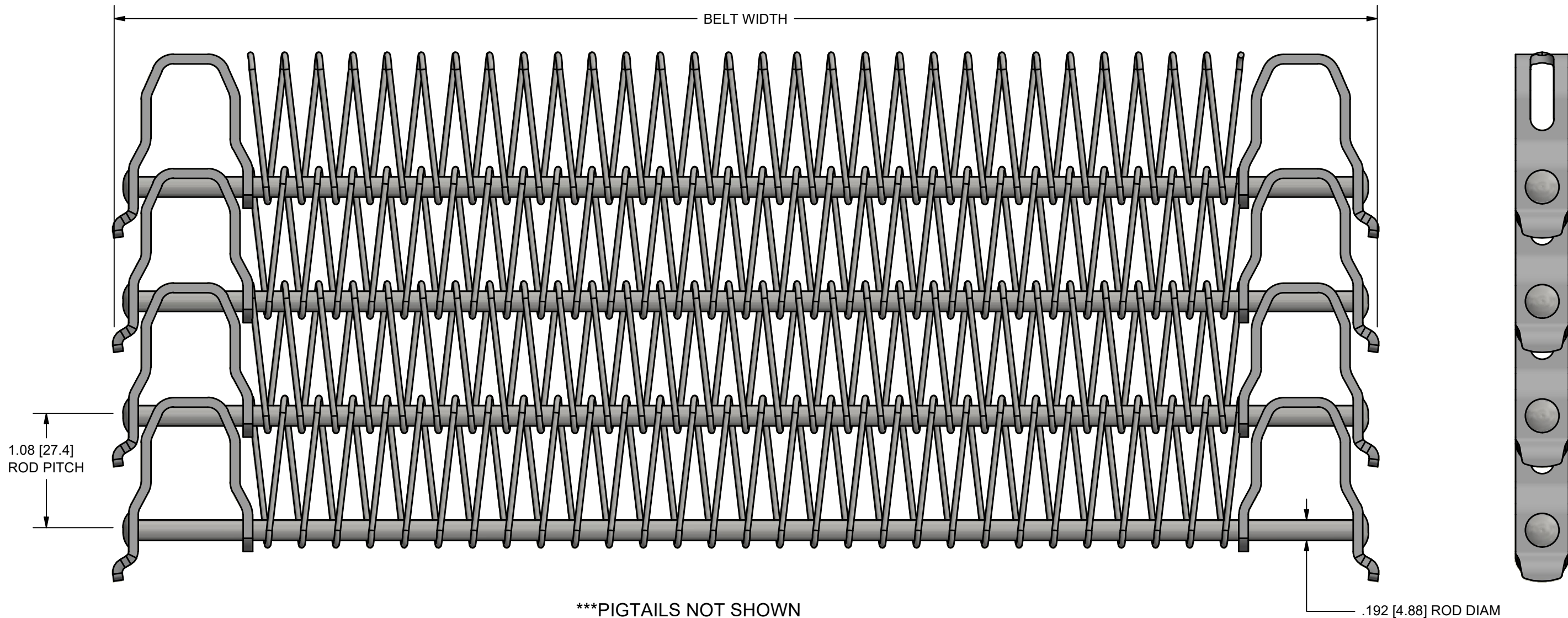


CUSTOMER SIGN OFF

CUSTOMER SIGNATURE: _____ PRINTED NAME: _____ TITLE: _____ DATE: _____

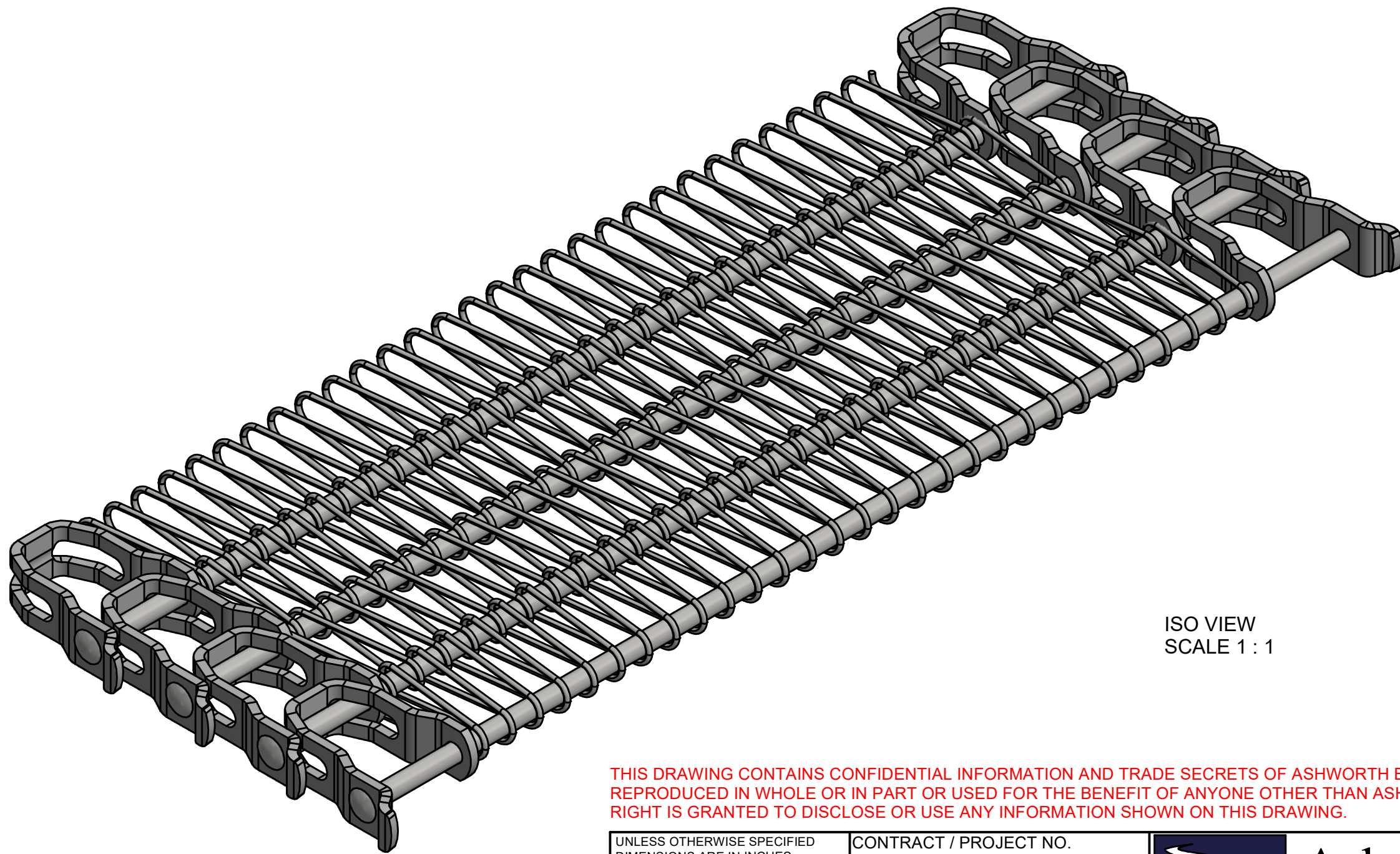


***PIGTAILS NOT SHOWN

NOTES:

THIS DRAWING CONTAINS CONFIDENTIAL INFORMATION AND TRADE SECRETS OF ASHWORTH BROS., INC. IT MAY NOT BE REPRODUCED IN WHOLE OR IN PART OR USED FOR THE BENEFIT OF ANYONE OTHER THAN ASHWORTH BROS., INC. NO RIGHT IS GRANTED TO DISCLOSE OR USE ANY INFORMATION SHOWN ON THIS DRAWING.

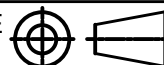
UNLESS OTHERWISE SPECIFIED DIMENSIONS ARE IN INCHES. DIMENSIONS NOTED ARE NOMINAL VALUES ONLY. ACTUAL DIMENSIONS ARE AFFECTED BY MANUFACTURING SPECS. AND / OR PROCESS CONDITIONS. CONTACT ASHWORTH ENGINEERING FOR FOR MORE DETAIL.	CONTRACT / PROJECT NO.		Ashworth Bros., Inc. <small>450 ARMOUR DALE, WINCHESTER, VA 22601</small>			
	APPROVALS	DATE				
	DRAWN witrinc	3/5/2020	TITLE ILLUSTRATION RROP100 B36-12-17			
	DESIGN CST	3/28/2017				
THIRD ANGLE PROJECTION	CHECKED					
MATERIAL	REF ASSEMBLY		SIZE	CAGE CODE	QUOTE NO.	REV.
TREATMENT NONE	REF PART		B	96664	N/A	
FINISH NONE	ASHWORTH PART NUMBER		SCALE	CALC.WT	SHEET	
			1 : 1	N/A	1 OF 2	



ISO VIEW
SCALE 1 : 1

THIS DRAWING CONTAINS CONFIDENTIAL INFORMATION AND TRADE SECRETS OF ASHWORTH BROS., INC. IT MAY NOT BE REPRODUCED IN WHOLE OR IN PART OR USED FOR THE BENEFIT OF ANYONE OTHER THAN ASHWORTH BROS., INC. NO RIGHT IS GRANTED TO DISCLOSE OR USE ANY INFORMATION SHOWN ON THIS DRAWING.

UNLESS OTHERWISE SPECIFIED DIMENSIONS ARE IN INCHES. DIMENSIONS NOTED ARE NOMINAL VALUES ONLY. ACTUAL DIMENSIONS ARE AFFECTED BY MANUFACTURING SPECS. AND / OR PROCESS CONDITIONS. CONTACT ASHWORTH ENGINEERING FOR MORE DETAIL.


THIRD ANGLE PROJECTION 

MATERIAL

TREATMENT NONE

FINISH NONE

CONTRACT / PROJECT NO.	
APPROVALS	DATE
DRAWN witrinc	3/5/2020
DESIGN CST	3/28/2017
CHECKED	
REF ASSEMBLY	
REF PART	
ASHWORTH PART NUMBER	

		Ashworth Bros., Inc.	
		450 ARMOUR DALE, WINCHESTER, VA 22601	
TITLE			
ILLUSTRATION RROP100 B36-12-17			
SIZE	CAGE CODE	QUOTE NO.	REV.
B	96664	N/A	
SCALE	CALC.WT	SHEET	
1 : 1	N/A	2 OF 2	