
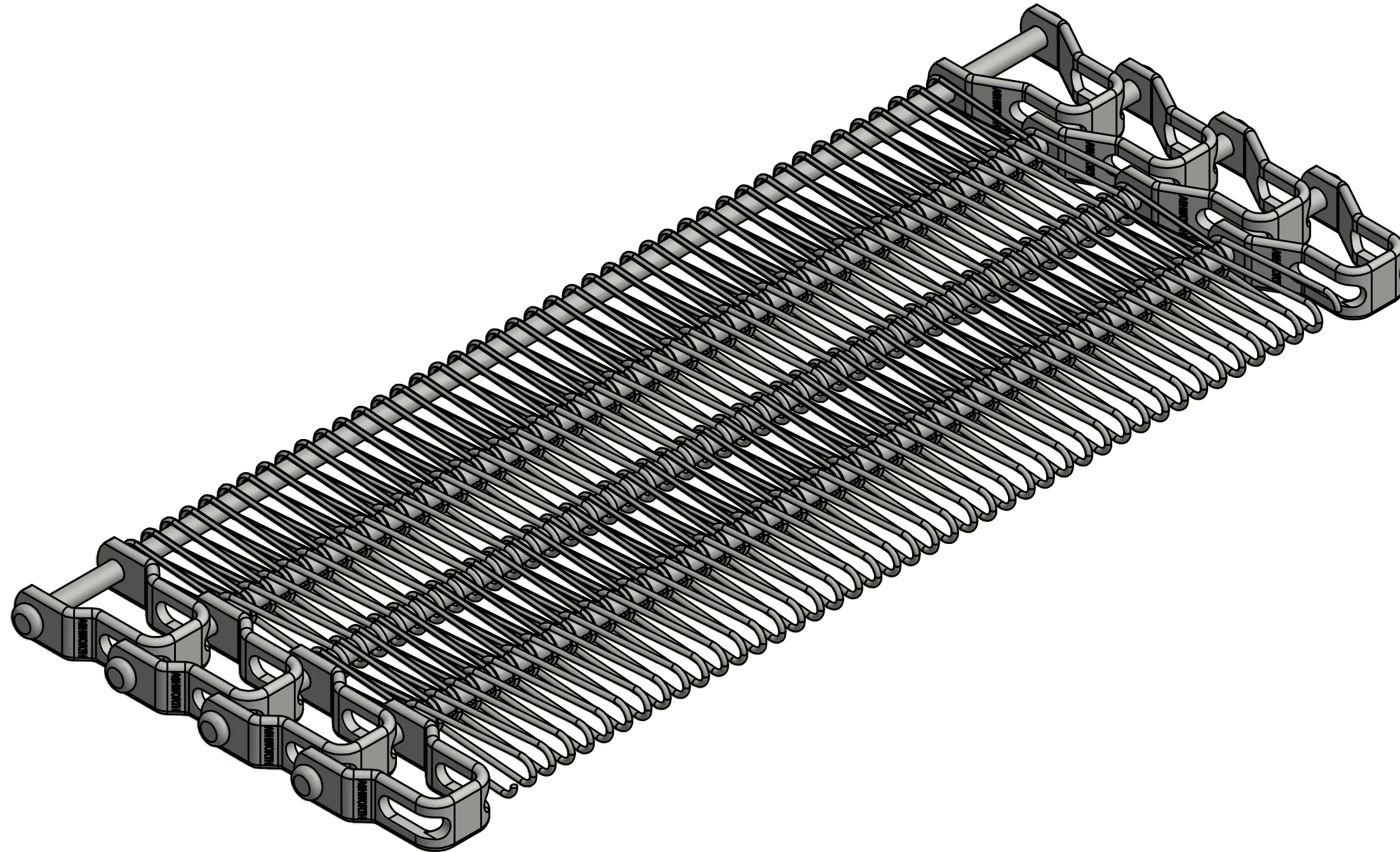



NOTES:

1. WIDTHS VARY BY ORDER

DO NOT SCALE DRAWING		 <b>Ashworth Bros., Inc.</b> 450 ARMOUR DALE, WINCHESTER, VA 22601
APPROVALS	DATE	
DRAWN <b>witrinc</b>	7/11/2018	TITLE <b>ILLUSTRATION RROG100 B54-12-17</b>
UNLESS OTHERWISE SPECIFIED DIMENSIONS ARE IN INCHES. TOLERANCES: .X = ± .03      FRACTION ± 1/16 .XX = ± .015      ANGLES ± 1/2° .XXX = ± .005 .XXXX = ± .0005      SURF FINISH 63 ✓		
SIZE	DWG. NO.	REV.
<b>B</b>		
CAD/FILE NAME	SCALE	CALC.WT
OP Assembly.idw	1:1	N/A
	SHEET	1 OF 2



DO NOT SCALE DRAWING		 <b>Ashworth Bros., Inc.</b> 450 ARMOUR DALE, WINCHESTER, VA 22601
APPROVALS	DATE	
DRAWN <b>witrinc</b>	7/11/2018	TITLE <b>ILLUSTRATION RROG100 B54-12-17</b>
UNLESS OTHERWISE SPECIFIED DIMENSIONS ARE IN INCHES. TOLERANCES: .X = ± .03      FRACTION ± 1/16 .XX = ± .015      ANGLES ± 1/2° .XXX = ± .005 .XXXX = ± .0005      SURF FINISH 63 ✓		SIZE <b>B</b> DWG. NO.      REV. SCALE <b>1:1</b> CALC.WT N/A      SHEET <b>2</b> OF <b>2</b>
CAD/FILE NAME OP Assembly.idw		